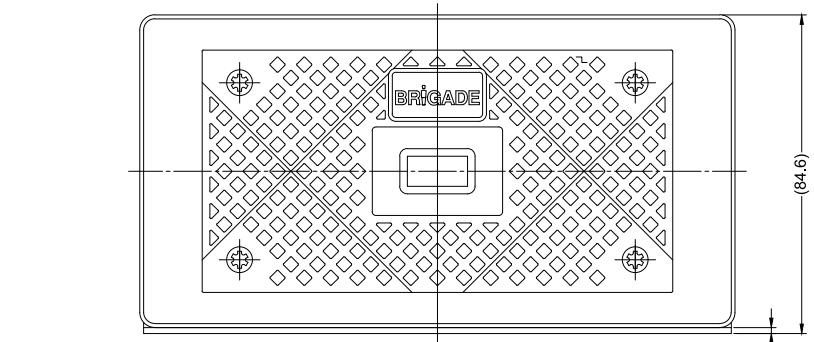
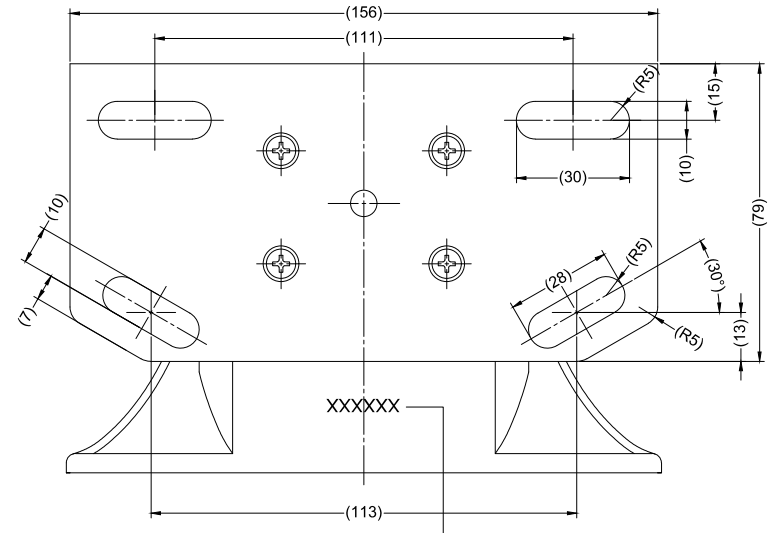
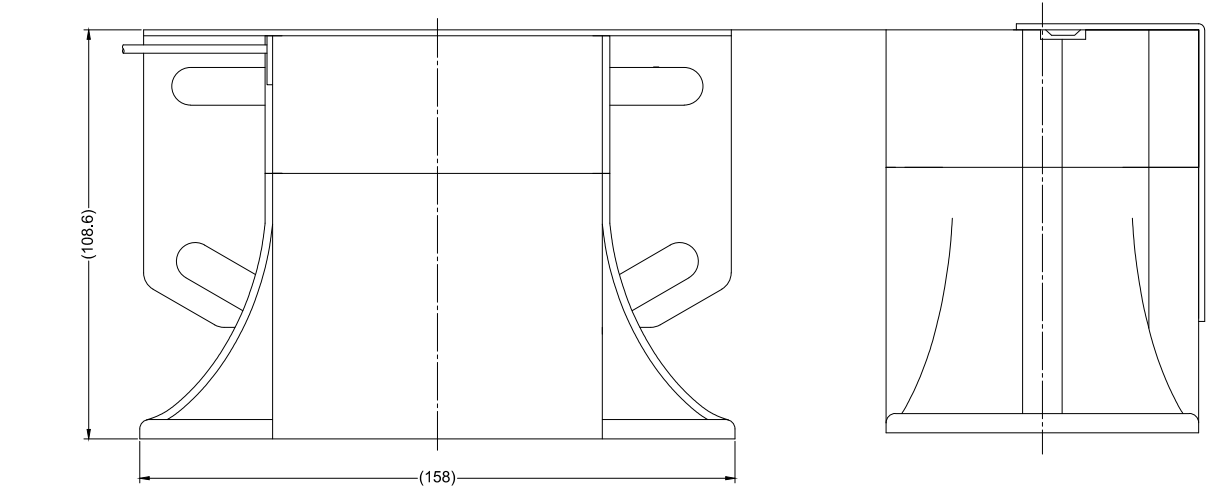


- SPECIFICATION:**
1. RATED VOLTAGE: DC 12/24 (WORKING VOLTAGE RANGE 9~32)
 2. RATED CURRENT: 0.5 AMPERES OR LESS.
 3. SOUND PRESSURE: 112±4dB AT TEST VOLTAGES OF 14 AND 28 VOLTS. (AS MEASURED AT A DISTANCE OF 1.2m AND AT A HEIGHT OF 1.2m ABOVE THE GROUND)
 4. FREQUENCY: 1900±200Hz AT TEST VOLTAGES OF 14 AND 28 VOLTS.
 5. INTERMITTENCE: 80±10 CYCLES PER MINUTE AT TEST VOLTAGE OF 32 VOLTS.
 6. DURABILITY: CONTINUOUS 500 HOURS AT TEST VOLTAGE OF 32 VOLTS.
 7. TEMPERATURE RANGE: -40°C ~ 85°C.
 8. WATER RESISTANCE: TO RESIST WATER AND BE ABNORMALITY-FREE AS TESTED SUBJECT TO ITEM S1, JIS D0203.
 - 9) VIBRATION RESISTANCE: TO RESIST VIBRATION AND BE ABNORMALITY-FREE AS TESTED SWEEP VIBRATION AS SPECIFIED BELOW. A LOG SWEEP FROM 24Hz TO 2000Hz TO 24 Hz WITH A PERIOD OF 30 MINUTES SHALL BE PERFORMED FOR 6 HOURS.
 - 10) OTHERS: MEETS REQUIREMENTS OF SAE J994.



Revision Notes:				
R1 -				
APA:	Drawn:	Checked:	Approved:	Date:

- NOTES:**
1. "R TRIANGLE" INDICATES CHANGES MADE TO REVISION AS IDENTIFIED IN NOTES.
 2. FOR PACKAGING & LABELLING DETAIL REFER TO THE LATEST REVISION OF THE MASTER BOM AND DRAWINGS.

PROPRIETARY NOTICE
 THIS DESIGN AND TECHNICAL INFORMATION APPEARING ON THIS DRAWING IS THE PROPERTY OF BRIGADE ELECTRONICS, AND IS DISCLOSED IN CONFIDENCE. IT IS NOT TO BE COPIED, REPRODUCED, REVEALED TO OR EXPROPRIATED BY OTHERS, EITHER IN WHOLE OR IN PART WITHOUT THE EXPRESS WRITTEN CONSENT OF BRIGADE ELECTRONICS.



Assembly Pl Approval W. FUKUZAWA		Approved by A. KEBEDE		Checked by E. MATHEW		Drawn by J.YU	
Angle of Projection 		Units mm	Scale	Released 11/03/2025	Assembly Ref BA-890		
Status RELEASED		Part No 1246A		BE-005021-00-25			